



#### QUICK SELECTION / Selezione veloce

input speed ( $n_1$ ) = 1400 min<sup>-1</sup>

Output Speed $n_2$ [min <sup>-1</sup> ]	Ratio $i$	Motor power $P_{1M}$ [kW]	Output torque $M_{2M}$ [Nm]	Service factor f.s.	Nominal power $P_{1R}$ [kW]	Nominal torque $M_{2R}$ [Nm]	Available B5 motor flanges		Available B14 motor flanges			Output Shaft 	Ratios code
							-B	-C	-O	-P	-Q		
							63	71	56	63	71		
18.8	<b>74.33</b>	0.37	176	1.8	<b>0.67</b>	<b>320</b>			C	C		191313	01
17.0	<b>82.56</b>	0.37	196	1.6	<b>0.60</b>	<b>320</b>			C	C		151318	02
16.0	<b>87.48</b>	0.37	207	1.5	<b>0.57</b>	<b>320</b>			C	C		131713	03
13.8	<b>101.40</b>	0.37	240	1.3	<b>0.49</b>	<b>320</b>			C	C		151313	04
11.4	<b>122.57</b>	0.37	291	1.1	<b>0.41</b>	<b>320</b>			C	C		131313	05
10.1	<b>138.59</b>	0.37	329	1.0	<b>0.36</b>	<b>320</b>			C	C		101318	06
8.7	<b>160.82</b>	0.25	257	1.2	<b>0.31</b>	<b>320</b>			C	C		91713	07
8.2	<b>170.20</b>	0.25	272	1.2	<b>0.29</b>	<b>320</b>			C	C		101313	08
7.6	<b>183.48</b>	0.25	294	1.1	<b>0.27</b>	<b>320</b>			C	C		91318	09
6.5	<b>214.15</b>	0.18	262	1.2	<b>0.23</b>	<b>320</b>			C	C		71713	10
6.2	<b>225.33</b>	0.18	276	1.2	<b>0.22</b>	<b>320</b>			C	C		91313	11
5.7	<b>244.32</b>	0.18	299	1.1	<b>0.20</b>	<b>320</b>			C	C		71318	12
5.5	<b>254.15</b>	0.18	311	1.0	<b>0.20</b>	<b>320</b>			C	C		61713	13
4.8	<b>289.96</b>	0.18	355	0.9	<b>0.17</b>	<b>320</b>			C	C		61318	14
4.7	<b>300.05</b>	0.18	367	0.9	<b>0.17</b>	<b>320</b>			C	C		71313	15
3.9	<b>356.09</b>	0.12	282	1.1	<b>0.14</b>	<b>320</b>			C	C		61313	16

The dynamic efficiency is **0.94** for all ratios

**Motor Flanges Available**  
Flange Motore Disponibili

**B) Supplied with Reduction Bushing**  
Fornito con Bussola di Riduzione

**B) Available on Request without reduction bushing**  
Disponibile a Richiesta senza Bussola di Riduzione

**C) Motor Flange Holes Position**  
Posizione Fori Flangia Motore

**EN** Unit **503C** is supplied with synthetic oil for lifetime lubrication, no maintenance is necessary. See table 1 for lubrication and recommended quantity. In table 2 please see possible radial loads and axial loads on the gearbox.

**I** Il riduttore **503C** viene fornito completo di olio sintetico per la lubrificazione permanente e non necessita di alcuna manutenzione. Vedi tab.1 per oli e quantità consigliati. In tab.2 sono presenti i carichi radiali e assiali applicabili al riduttore.

**D** Das Getriebe **503C** ist mit synthetischem Öl gefüllt und ist lebensdauergeschmiert. In Tabelle 1 ist die Schmiermenge und das empfohlene Schmiermittel angegeben. In Tabelle 2 sind die zulässigen Radial- und Axialbelastungen des Getriebes aufgeführt.

**F** Le réducteur **503C** est fourni complet avec de l'huile synthétique pour la lubrification permanente et ne nécessite aucun entretien. Voir tableau 1 concernant les huiles et les quantités conseillées. Les charges radiales et axiales applicables au réducteur sont précisées dans le tableau 2.

**E** El reductor tamaño **503C** se suministra, lubricado de por vida con aceite sintético y no requieren mantenimiento alguna. Ver tabla 1, para cantidades y aceites recomendados. En la tabla 2, se encuentran las cargas radiales y axiales admitidas por el reductor.

Standard supplied	For these mounting position specify in the order or add oil Per queste posizioni specificare in fase d'ordine o aggiungere olio					
B3	B6	B7	B8	V5	V6	V8
1.35 LT	0.80 LT	0.80 LT	0.70 LT	1.50 LT	0.85 LT	Ask
AGIP Telium VSF 320				SHELL Omala S4 WE 320		

For all details on lubrication and plugs check our website [tab. 1](#)  
Per maggiori dettagli su lubrificazione e tappi olio vedi il nostro sito web

### RADIAL AND AXIAL LOADS

**Output shaft**  
Albero di uscita

$F_R (N)$   
 $F_A (N)$

$F_{eq} = F_R \cdot \frac{56.5}{X+26.5}$   
 $F_{eq} (N)$

$n_2$	FA	FR	$n_2$	FA	FR	$n_2$	FA	FR
300	500	2500	140	640	3200	70	820	4100
250	540	2700	120	680	3400	40	1020	5100
200	580	2900	85	760	3800	15	1100	5500

**On request reinforced bearings to increase loads.**  
A richiesta cuscinetti rinforzati per aumentare i carichi.

**Input shaft**  
Albero in entrata

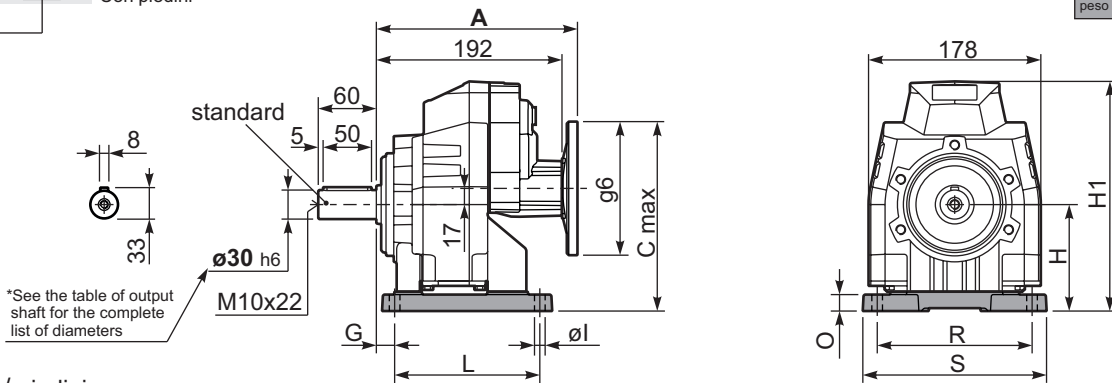
$F_R (N)$   
 $F_A (N)$

$n_1$	FA	FR
1400	140	700
900	160	800
500	190	950

tab. 2

**P503CS4...** With feet  
Con piedini

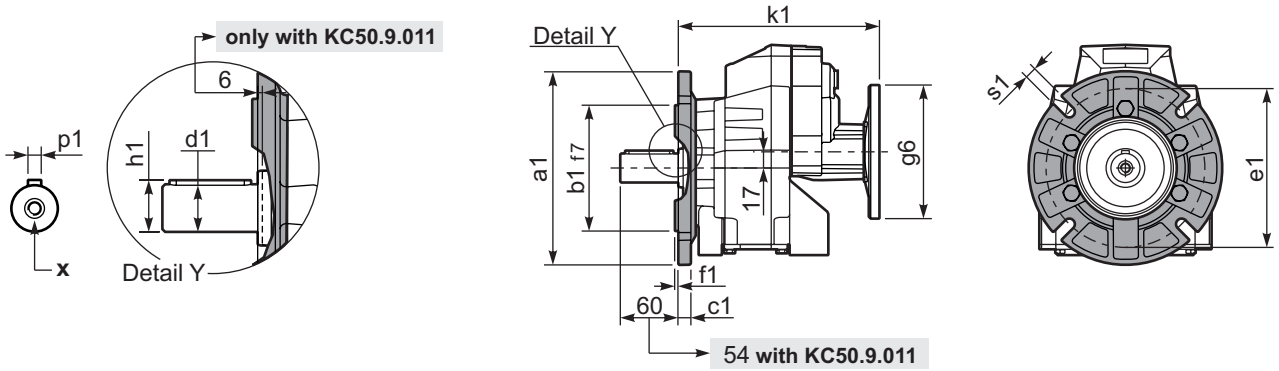
**Gearbox weight** With flange **15.0 kg**  
**peso riduttore** With feet **17.0 Kg**



Feet / piedini

Feet Code	Market reference	G	H	R	L	S	H1	O	øl	B5 max. Flange	kit code
B3	312/3	18	110	160	130	190	237	17	11	-	C50C.9.022
S4	47	30	115	135	165	170	242	22	13.5	-	C50C.9.024
-	-	-	-	-	-	-	-	-	-	-	-
-	-	-	-	-	-	-	-	-	-	-	-
-	-	-	-	-	-	-	-	-	-	-	-

**P503C-F...** Output flanges  
flange di uscita



\*Available output shaft / Albero di uscita

	Shaft - d1	p1	h1	x
Standard	ø 30x60	8	33	M10x22
On request A richiesta	ø 35x70	10	38	M10x22
	-	-	-	-

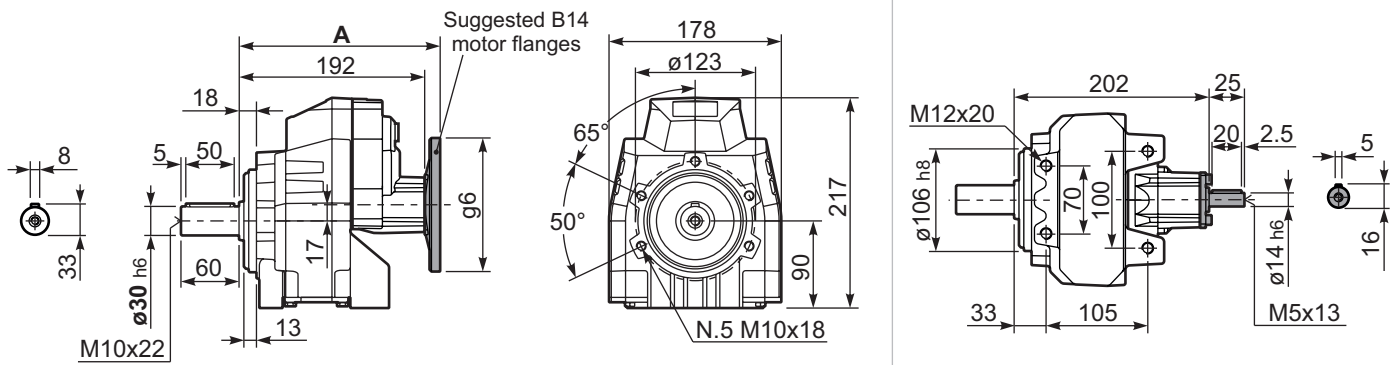
Available output flanges / flange di uscita

a1 ø	b1	c1	e1	f1	s1	kit code
160	110	14	130	3.5	11	KC50.9.011
200	130	13	165	3.5	11	KC50.9.012
250	180	15.5	215	4	14	KC50.9.013

With flange and feet only on request. Ask for compatibility

**P503C-N...** Basic gearbox  
Riduttore base

**R503C-N...** Input Shaft  
Albero in entrata



B5 Motor Flanges	A	C <sub>max</sub>	g6	k1	kit code	k1 with KC50.9.011
63 B5	210.5	202	140	210.5	K050.4.041	216.5
71 B5	208	212	160	208	K050.4.042	214

B14 Motor Flanges	A	C <sub>max</sub>	g6	k1	kit code	k1 with KC50.9.011
56 B14	208	172	80	208	KC40.4.049	214
63 B14	210.5	177	90	210.5	K050.4.047	216.5
71 B14	208	184.5	105	208	K050.4.045	214